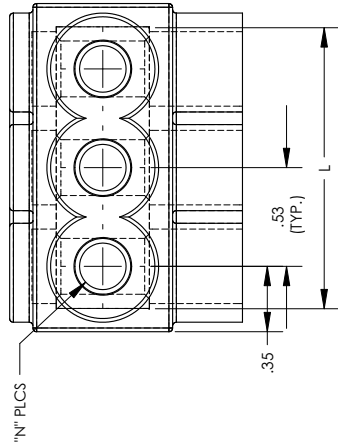
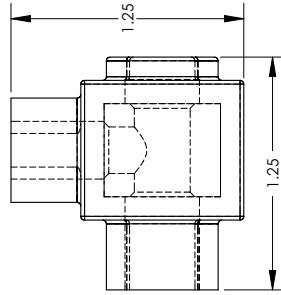
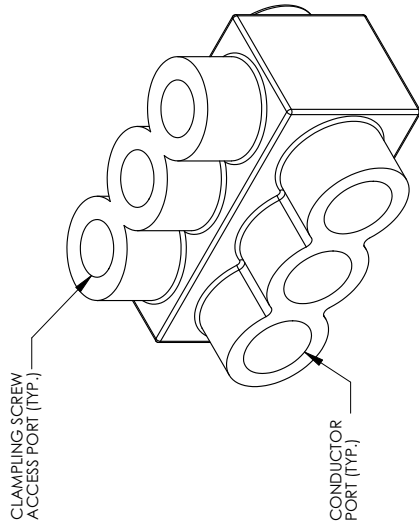
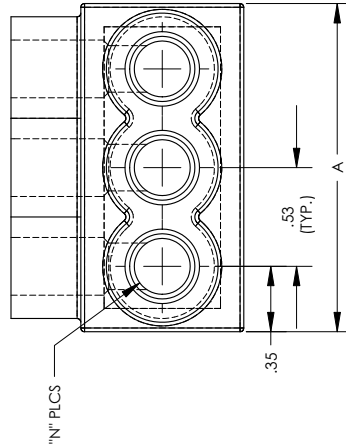


THIS COPY IS PROVIDED ON A RESTRICTED BASIS AND IS NOT TO BE USED IN ANY WAY DETRIMENTAL TO THE INTERESTS OF PANDUIT CORP.



THREE PORT CONNECTOR BLOCK SHOWN WITH PLASTIC CLOSURE PLUGS REMOVED. SEE TABLE FOR DIMENSIONS OF PARTS WITH ADDITIONAL PORTS



PANDUIT FINISHED GOODS P/N	CONDUCTOR RANGE	HEX KEY	SCREW QTY.	CAP (SCREW PORT) QTY.	CAP (WIRE PORT) QTY.	A	L	N	TIGHTENING TORQUE
PCSB4-2S-6Y		1/8	2	2	2	.123	0.982	2	
PCSB4-3S-12Y		1/8	3	3	3	.176	1.512	3	
PCSB4-4S-6Y		1/8	4	4	4	.229	2.042	4	
PCSB4-6S-6Y		1/8	6	6	6	.335	3.102	6	50 in/lbs
PCSB4-10S-4Y	#4 - # 14 STR # 10 - # 14 Sol	1/8	10	10	10	.547	5.222	10	
PCSB4-12S-3Y		1/8	12	12	12	.653	6.262	12	
PCSB4-14S-2Y		1/8	14	14	14	.759	7.342	14	

NOTES:

- UL486A-UL486B LISTED, DUAL RATED CU9AL FOR ALUMINUM OR COPPER CONDUCTORS. MEETS OR EXCEEDS ANSI C119.4
- SEE TABLE FOR WIRE RANGE.
- STRIP LENGTH: .50+.06/-0
- FOR TIGHTENING TORQUE SEE TABLE
- VOLTAGE RATING: 600 V. MAX. BUILDING WIRE, 1000 V. MAX. IN SIGNS & FIXTURES.
- TEMPERATURE RATING: 90°C (CU9AL).
- CONNECTOR BLOCK BODY ARE MADE FROM ALUMINUM. CONDUCTOR PORTS IN CONNECTOR BLOCK ARE PREFILLED WITH AN OXIDE-INHIBITING COMPOUND.
- CONNECTOR TO INCLUDE TIN PLATED ALUMINUM CLAMPING SCREWS FOR EACH CONDUCTOR PORT.
- INSULATION MATERIAL IS CLEAR PVC.
- CLAMPING SCREW ACCESS PORTS AND ALL WIRE ENTRY PORTS ARE PROVIDED WITH REMOVABLE PLASTIC CLOSURE PLUGS.
- ALL DIMENSIONS SHOWN ARE NOMINAL.
- ONLY ONE CONDUCTOR PER PORT ALLOWED.
- PACKAGE QTY: -12 = 12 PCS.
-6 = 6 PCS.
-4 = 4 PCS.
-3 = 3 PCS.
-2 = 2 PCS.
- THIS PART IS RoHS COMPLIANT



LISTED

REV		DATE	BY	CHK	DESCRIPTION	ECN	CUST	QA	APP	CHK'D	RLS
02		11/09	JHNU	JHNU	REVISED NOTE 3: .50 WAS .56 ADDED HEX KEY SIZE TO TABLE						
DRAWN BY JVS				DATE	08/99						
MATERIAL:				SCALE	1.5:1						
UNLESS OTHERWISE SPECIFIED, DIMENSIONAL TOLERANCES ARE:											
				(X) ±							
				(XX) ±							
				ANGLES ±							
				SEE NOTE 1 ABOVE							
				DWG	C41529_02						
				SIZE	B						

PANDUIT CORP. TINLEY PARK, ILLINOIS

MULTI-TAP INSULATED CONNECTORS
PCSB4 SERIES SINGLE SIDED

UNLESS OTHERWISE SPECIFIED, DIMENSIONAL TOLERANCES ARE:
(X) ±
(XX) ±
ANGLES ±

MATERIAL:

SCALE 1.5:1

UNLESS OTHERWISE SPECIFIED, DIMENSIONAL TOLERANCES ARE:
(X) ±
(XX) ±
ANGLES ±

DWG C41529_02
SIZE B